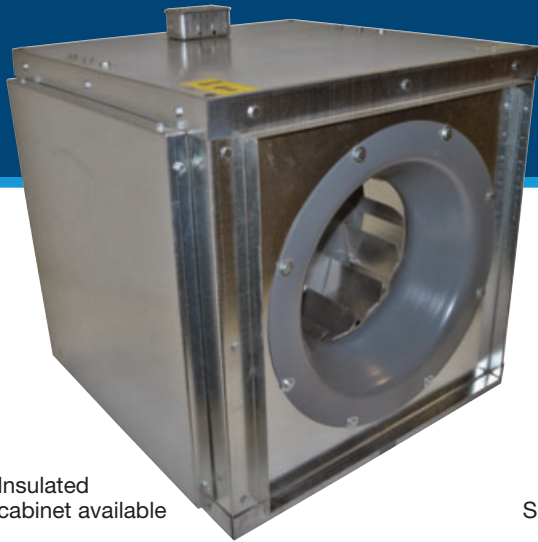
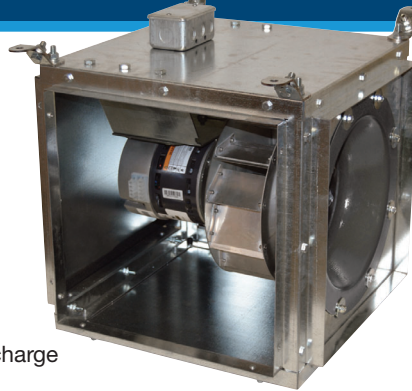


GSQ-D-EC SERIES

Backward Inclined Direct Drive Square Inline Blowers



Insulated cabinet available



Side discharge

FEATURES

- Available in 9" to 18".
- High efficiency aluminum wheel.
- Side discharge option as standard. Simply re-locate the side panel to the discharge.
- Bottom discharge available with flange kit.
- Junction box.
- High Efficiency EC variable speed motor.
- Multiple mounting options.

PERFORMANCE SPECIFICATIONS

MODEL	TYPICAL MAXIMUM CFM @ SP						HP	MAX HP	RPM
	1/4"	1/2"	3/4"	1"	1 1/4"	1 1/2"			
GSQ090-D-EC	425	325	175	--	--	--	1/4	1/4HP	1800
GSQ105-D-EC	1150	1000	825	550	--	--	1/3	1/3 HP	1800
GSQ120-D-EC	1725	1575	1425	1200	1025	500	1/2	1/2 HP	1800
GSQ135-D-EC	2575	2400	2250	2000	1850	1400	3/4	3/4 HP	1800
GSQ150-D-EC	3300	3100	2825	2450	2200	1900	1	1 HP	1800
GSQ165-D-EC	3750	3350	2950	2550	2250	1900	1	1 HP	1500
GSQ180-D-EC	4200	3650	3250	2550	--	--	1	1 HP	1200

CFM values listed above are summarized for convenience.

Power rating (BHP) does not include transmission losses. Performance certified is for installation type B - Free inlet, Ducted Outlet. Performance ratings do not include the effects of appurtenances (accessories).

FOR FAN CURVES & FULL PERFORMANCE DATA, CONSULT OUR DELAIR SOFTWARE. DOWNLOAD DELAIR @ WWW.CANARM.COM/DELAIR

DIMENSIONS

GSQ-D-EC DIRECT DRIVE BACKWARD INCLINED SQUARE INLINE BLOWER					
MODEL	A	B	A1	B1	H
GSQ090-D-EC	15 5/64"	11 5/64"	18 37/64	11	15 7/16"
GSQ105-D-EC	17 1/8"	14 5/8"	21 1/2"	15 3/8"	18 15/16"
GSQ120-D-EC	20"	17"	24 3/8"	17 3/4"	21 13/16"
GSQ135-D-EC	22"	18 3/4"	26 3/8"	19 1/2"	23 13/16"
GSQ150-D-EC	24 1/2"	20 7/8"	38 3/8"	21 5/8"	26 5/16"
GSQ165-D-EC	26 3/4"	23"	31 1/8"	23 3/4"	28 9/16"
GSQ180-D-EC	29 5/8"	25 3/8"	34"	26 1/8"	31 7/16"

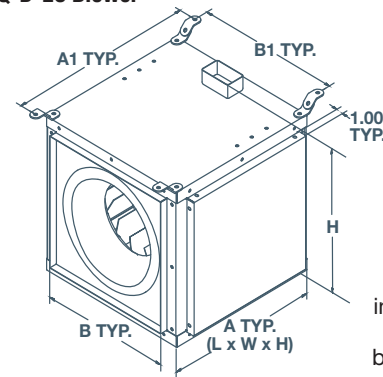
F-DSQ FILTER SECTION				
MODEL	X	Y	Z	FILTER
F-DSQ105	20"	14"	6"	7.085
F-DSQ120	20"	17"	6"	3.069
F-DSQ135	22"	18 3/4"	6"	2.184
F-DSQ150	24 1/2"	20 7/8"	14"	0.762
F-DSQ165	26"	23"	14"	0.63
F-DSQ180	28 5/8"	25 3/8"	14"	0.463

Filter Resistance = Filter Factor x CFM2 x 10-8 in. wg

ACCESSORIES

- F-DSQ Filter section with "V" bank 1" aluminum filters. (Filter rack will accept customer supplied 2" filters).
- Suspension or base mount vibration isolators.
- Insulated cabinet available (see price list).

GSQ-D-EC Blower



Mounting brackets shown in both positions. Can be top or bottom mounted.

F-DSQ Filter Section

